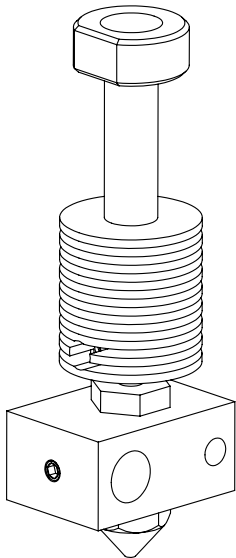




ZMORPH BUILD HOTEND 0.4 MM

Technical Specification

Zmorph Build Hotend 0.4 mm



SPECIFICATION

Dimensions	16 x 21 x 63 [mm]
Weight	30-40 [g]
Filament diameter	1,75 [mm]
Nozzle diameter	0,4 [mm]
Cable length	27 [cm]
Maximum power consumption	40 [W]
Maximum printing temperature	300 [°C]
Nozzle material	Brass

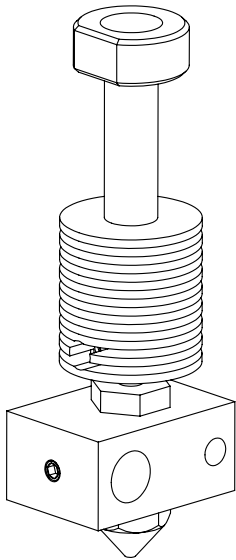




ZMORPH SUPPORT HOTEND 0.6 MM

Technical Specification

Zmorph Support Hotend 0.6 mm



SPECIFICATION

Dimensions	16 x 21 x 63 [mm]
Weight	30-40 [g]
Filament diameter	1,75 [mm]
Nozzle diameter	0,6 [mm]
Cable length	27 [cm]
Maximum power consumption	40 [W]
Maximum printing temperature	300 [°C]
Nozzle material	Brass

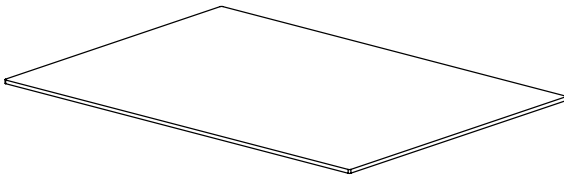




GLASS FOR ZMORPH I500 HEATED BED

Technical Specification

**Borosilicate glass for
Zmorph i500 heated bed**



SPECIFICATION

Dimensions	487 x 306 x 4 [mm]
Weight	1,35 [kg]
Glass type	Borosilicate

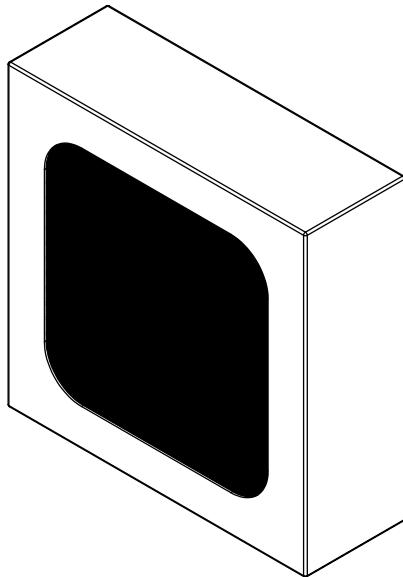




HEPA/CARBON OUTPUT AIR FILTRATION

Technical Specification

HEPA/Carbon Output Air Filtration



SPECIFICATION

Dimensions	80 x 80 x 25 [mm]
Filter type	H13 + Carbon
Lifetime	max 1000 [h] (depends on worktype)

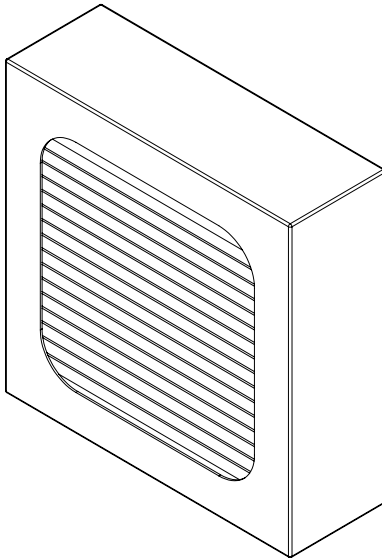




G4 INPUT AIR FILTRATION

Technical Specification

G4 Input Air Filtration



SPECIFICATION

Dimensions	80 x 80 x 25 [mm]
Filter type	G4
Lifetime	max 1000 [h] (depends on worktype)

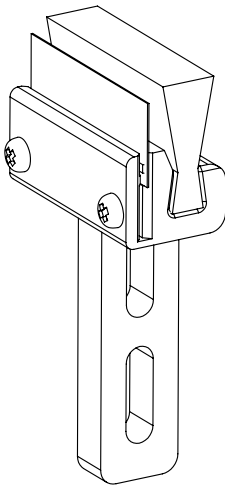




CLEANING STATION SCRAPER

Technical Specification

Cleaning station scraper



SPECIFICATION

Dimensions	13 x 25 x 50 [mm]
Cleaning materials	Brass + PTFE
Body materials	ABS + galvanized steel
Lifetime	max 500 [h] (depends on worktype)

